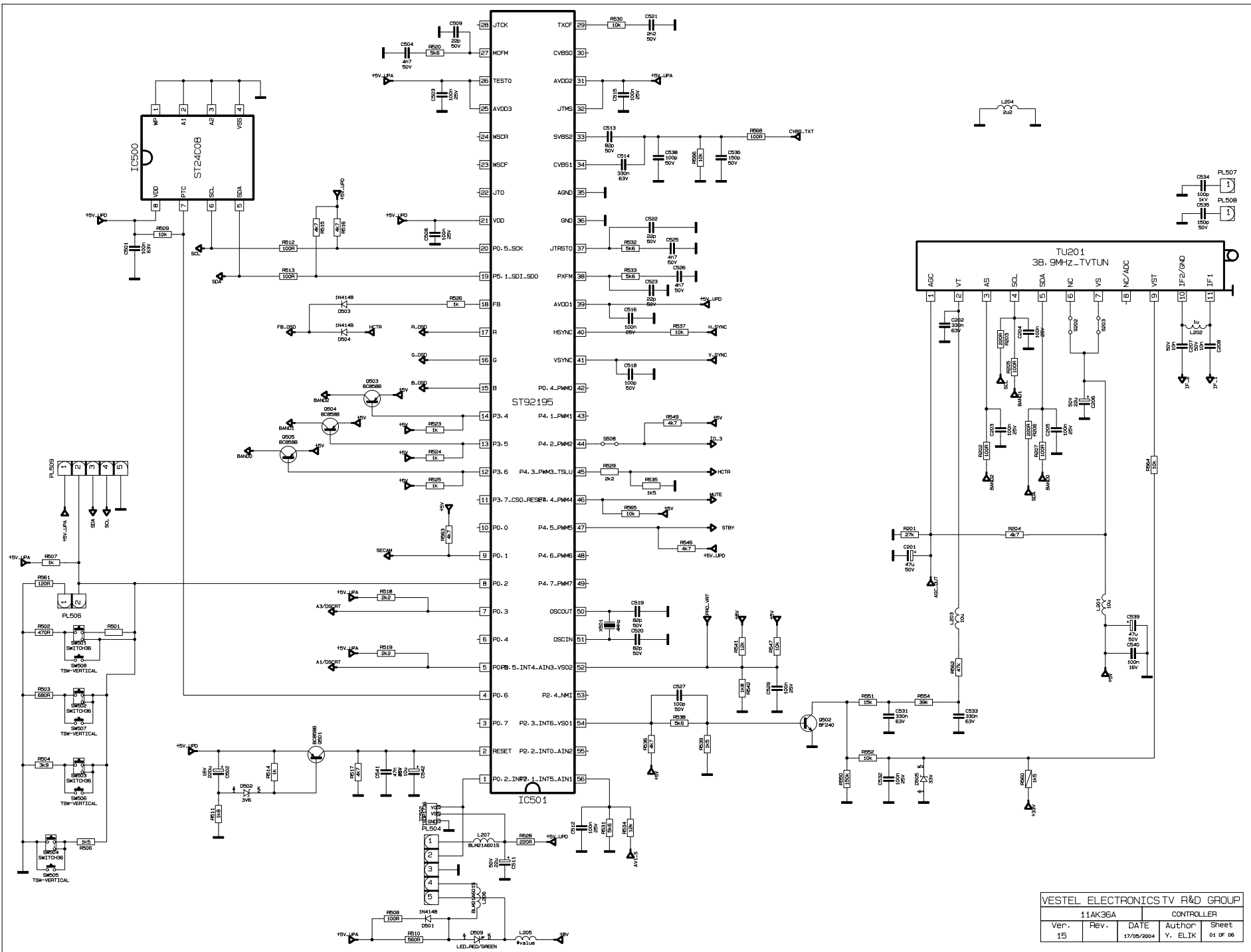
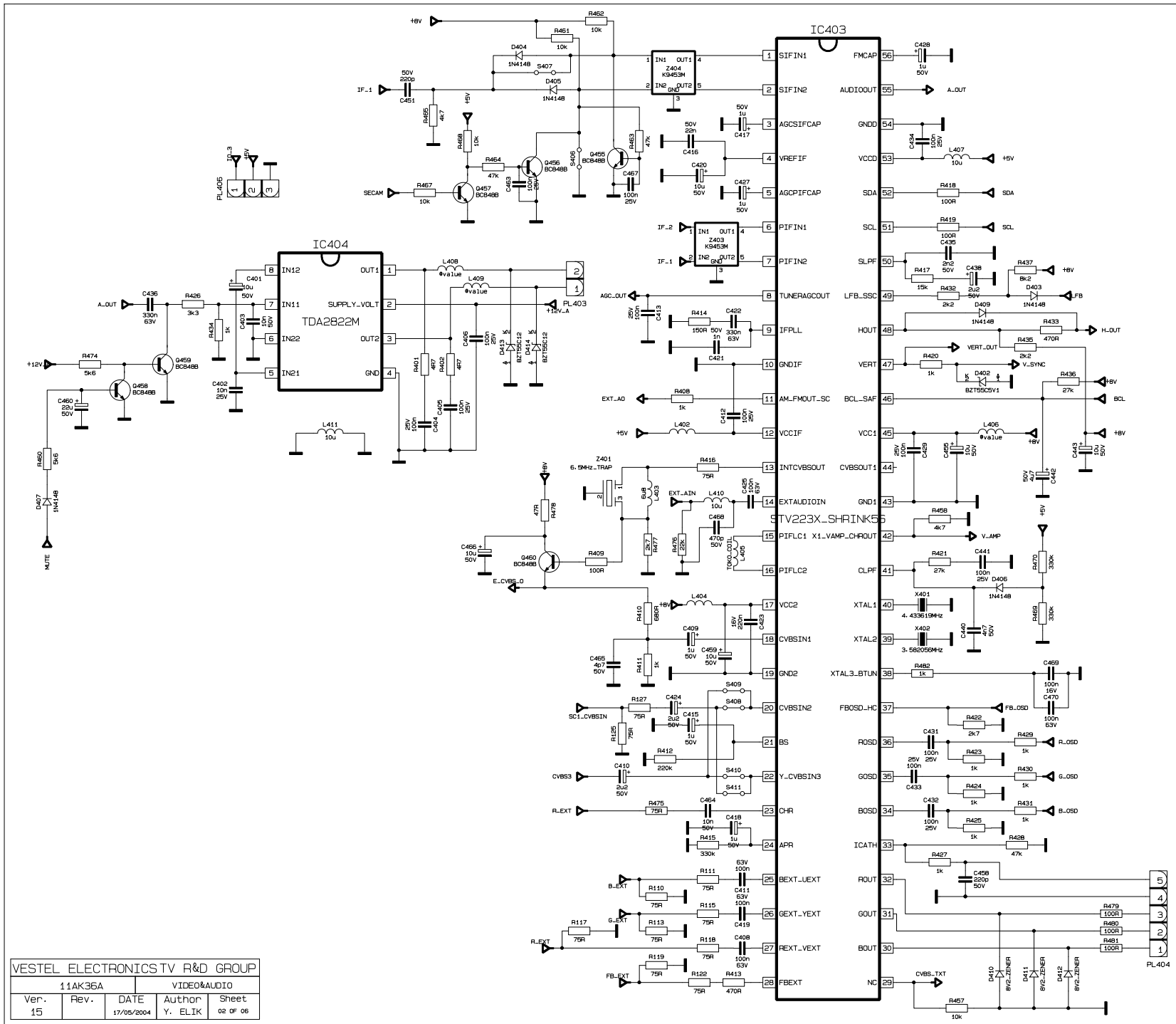


11AK36A		SMPS	
Ver.	Rev.	DATE	Author
15		17/05/2004	Y. ELIK
		Sheet	06 OF 06

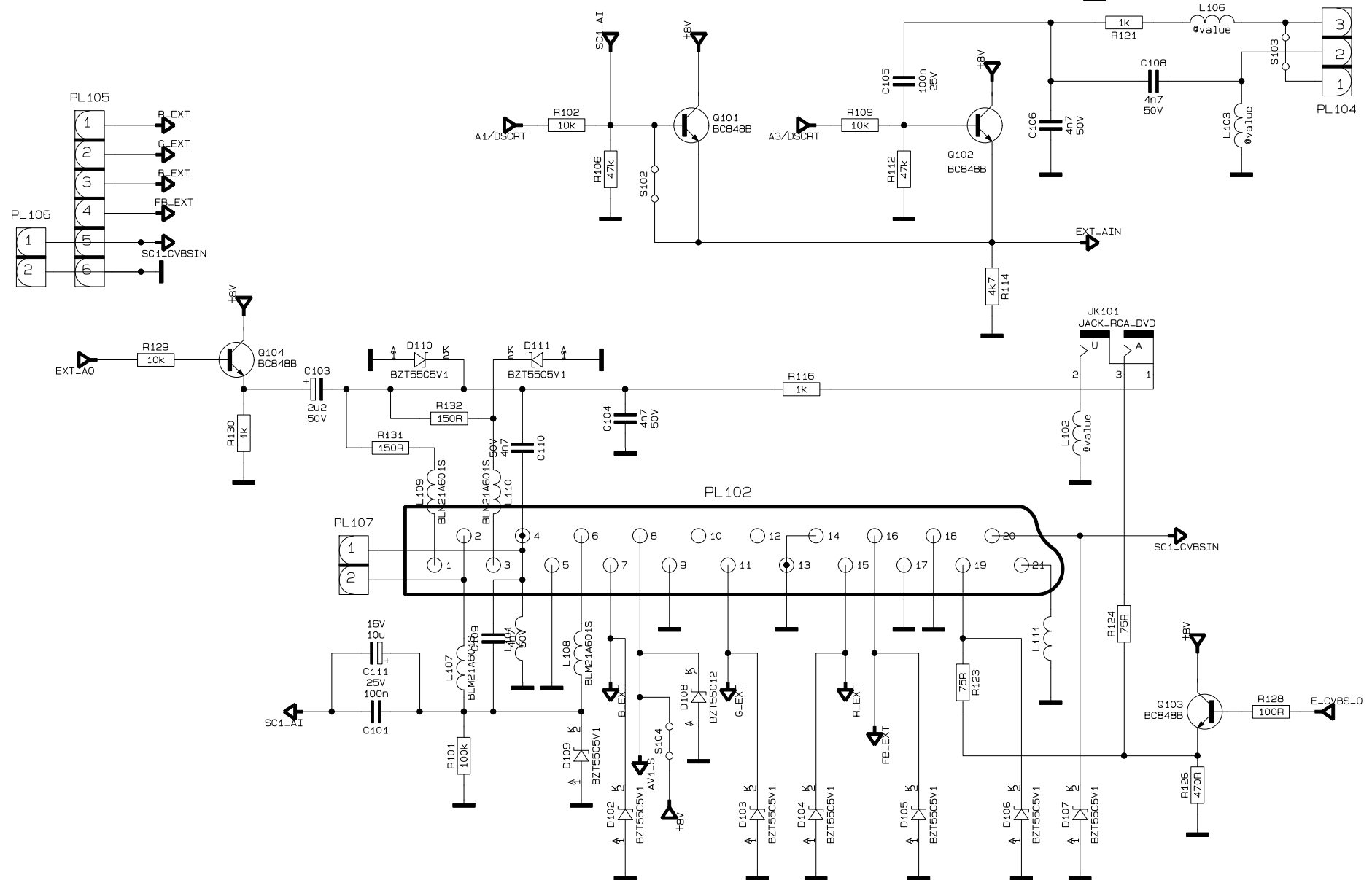


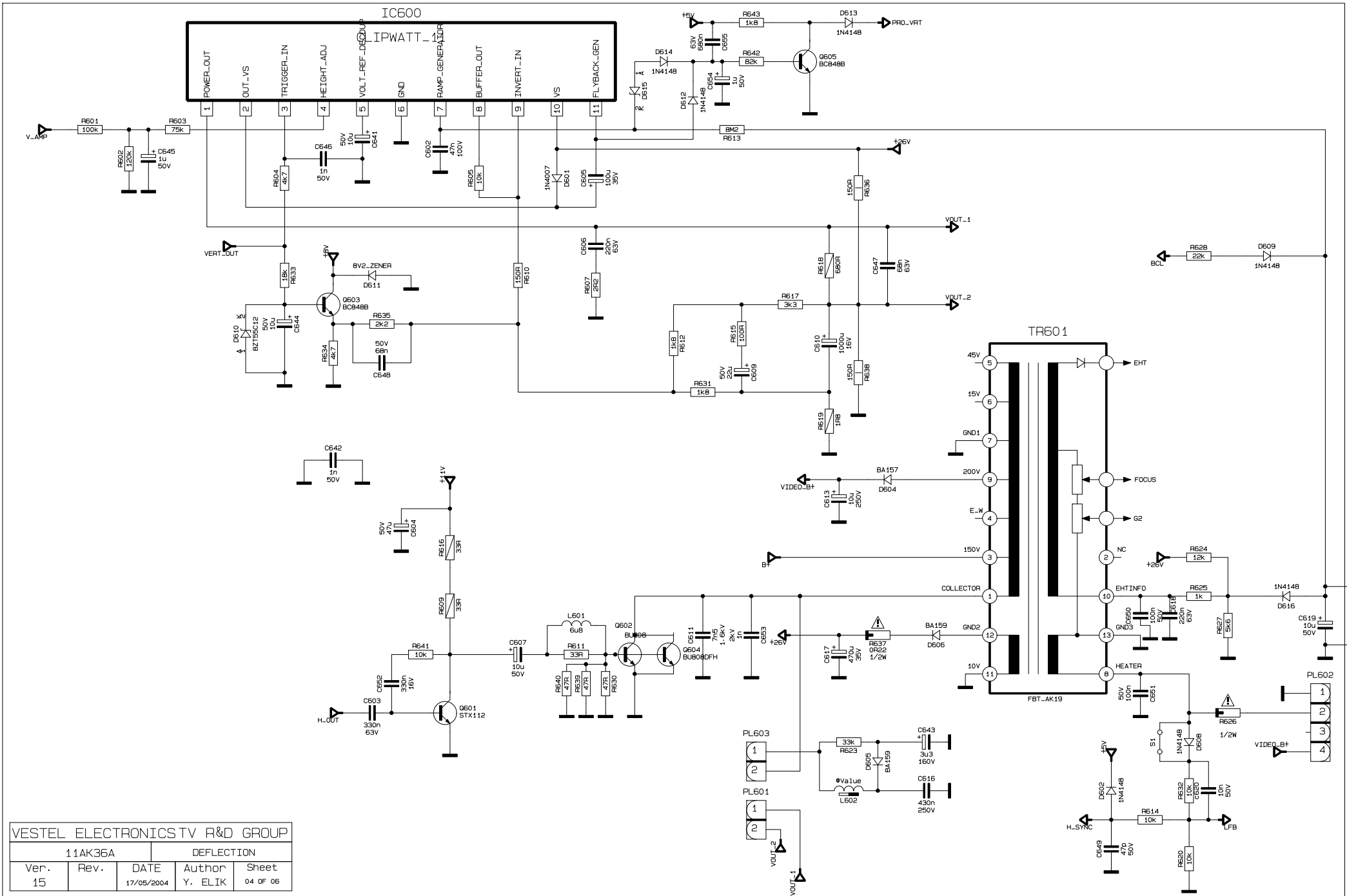


VESTEL ELECTRONICS TV R&D GROUP				
11AK35A		VIDEO&AUDIO		
Ver. 15	Rev.	DATE 17/05/2004	Author Y. ELIK	Sheet 02 OF 06

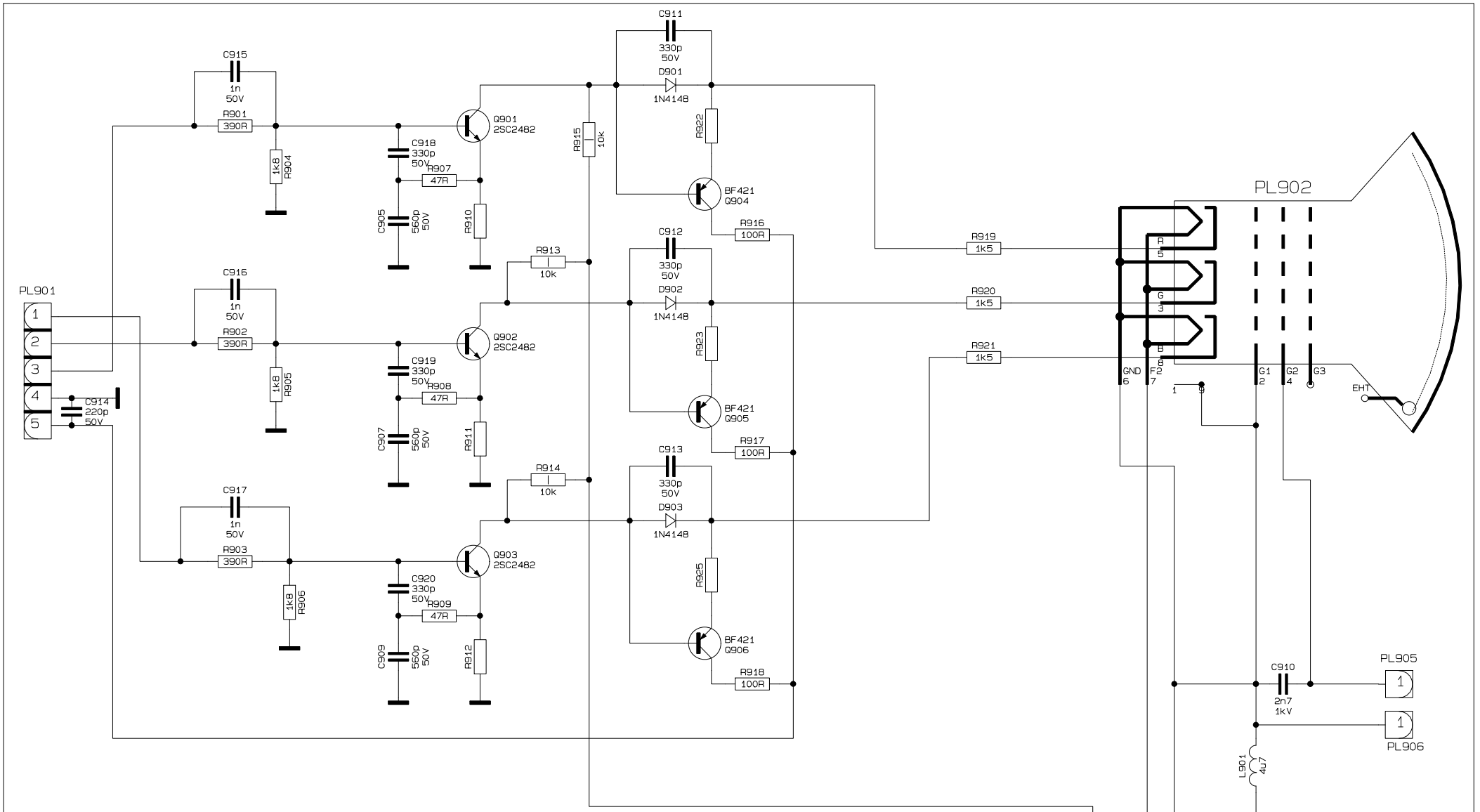
VESTEL ELECTRONICS TV R&D GROUP

11AK36A		PRI.		
Ver. 15	Rev.	DATE 17/05/2004	Author Y. ELIK	Sheet 03 OF 06





VESTEL ELECTRONICSTV R&D GROUP				
11AK36A		DEFLECTION		
Ver.	Rev.	DATE	Author	Sheet
15		17/05/2004	Y. ELIK	04 OF 06



VESTEL ELECTRONICS TV R&D GROUP

11AK36A		CRT		
Ver. 15	Rev.	DATE 17/05/2004	Author Y. ELIK	Sheet 05 OF 06